

Refundable Security \$ _____	Issue Date _____
Fee \$ _____	Receipt No. _____

**CITY OF MONTE SERENO
ENCROACHMENT APPLICATION AND PERMIT**

The undersigned hereby applies to the City of Monte Sereno for an Encroachment Permit under the terms of Chapter 3, of Title 8, of the Monte Sereno City Code to do the following:

Work Address: _____ Estimated Cost: \$ _____

Work Description: (Attach plan or sketch as required.) _____

Emergency contact: _____ Phone Number: _____

Worker's Compensation Certificate

I, the undersigned, certify that I am familiar with California Labor Code Section 3700 and 3600 covering Worker's Compensation Insurance and the certification of insurance or a consent to self-insure for Worker's Compensation Insurance as condition to the issuance of a permit by the City. I hereby certify as follows:

- I have filed with you, the certificate required by California Labor Code Section 3800 (1) or (2) or (3) or
- In the performance of the work for which this permit is issued, I shall not engage or employ any person or entity in any manner so as to become subject to the Worker's Compensation Laws of California.

Until I notify the City to the contrary, in writing, my place of residence (or permanent business address) for all purpose of notice called for under Section 8-3 of the City Code shall be set forth below:

Name: _____ Phone #: _____

Address: _____

I declare under penalty of perjury, that the foregoing is true and correct to the best of my knowledge and belief.

Executed at Monte Sereno, California, this _____ day of _____, 20_____.

Company: _____ By: _____

**ENCROACHMENT PERMIT
(NON-TRANSFERABLE)**

NUMBER _____

Permission is hereby granted to the above-named applicant to perform the work specified at the location in the above application, subject to the Standard Encroachment Permit Conditions (Page 2) and the following conditions:

1. _____
2. _____
3. _____
4. _____

Completion Notice

This work has been inspected and found complete as of _____ This does not release the Permittee of other obligations under Chapter 3, Title 8 of Monte Sereno City Code.

Inspected By: _____

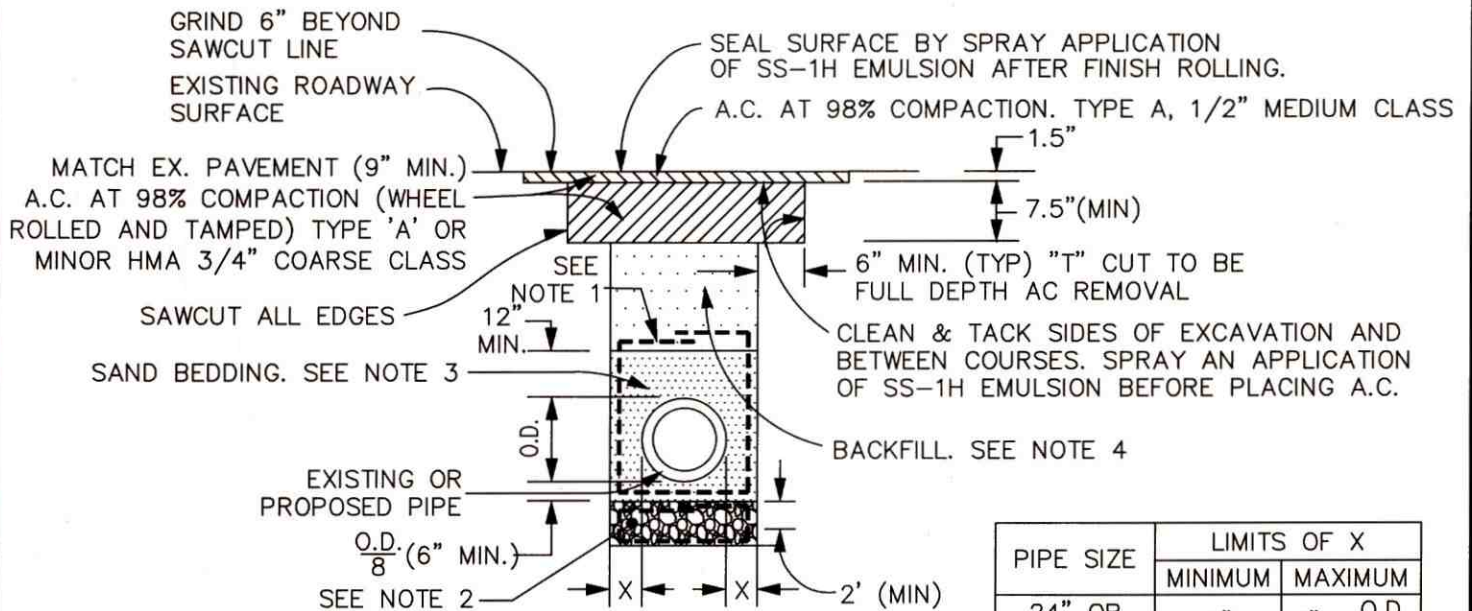
Permit Approval

This permit is good until revoked or expires in accord with its term.

Expiration Date: _____

Extension Date: _____

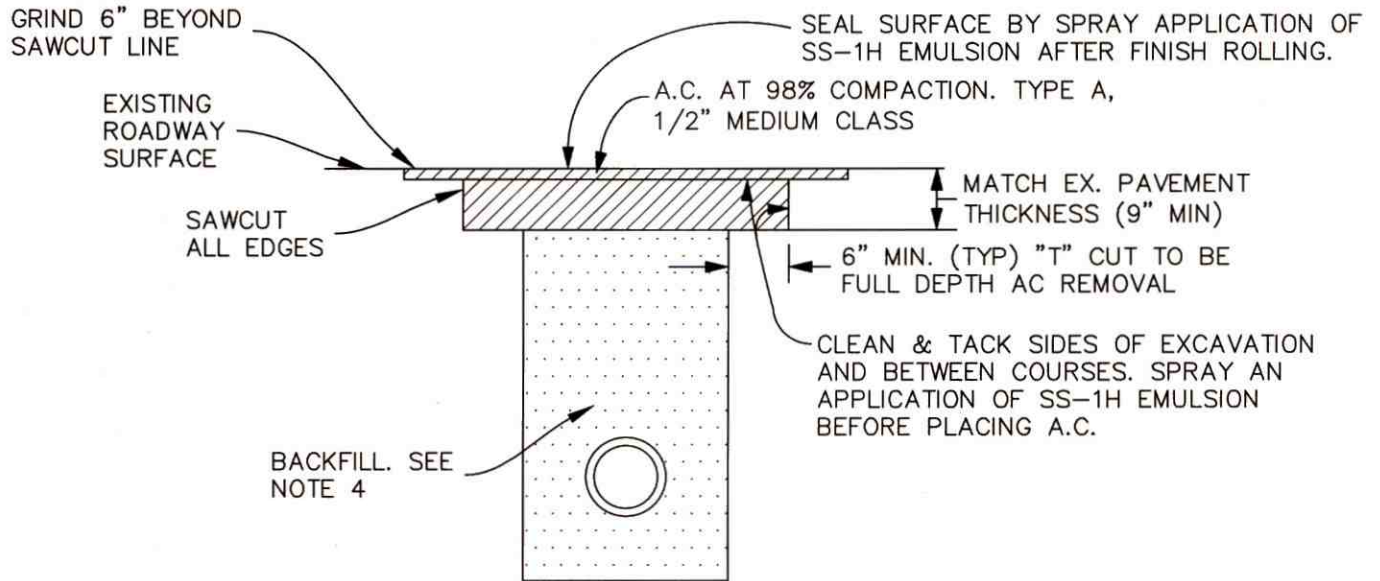
Approved By: _____



PIPE SIZE	LIMITS OF X	
	MINIMUM	MAXIMUM
24" OR LESS	4"	4" + $\frac{O.D.}{4}$
27" AND GREATER	6"	6" + $\frac{O.D.}{4}$

EXISTING STREET TRENCH RESTORATION

NO SCALE



ROCKWHEEL TRENCH RESTORATION

NO SCALE



CITY OF MONTE SERENO
PUBLIC WORKS DEPARTMENT

[Signature]
PUBLIC WORKS DIRECTOR DATE 10-13-17 REVISED

TRENCH RESTORATION

DRAWING NO.
PW-12

NOTES:

1. GEOTEXTILE TO BE PLACED EITHER BETWEEN THE CLASS 2 AB AND SAND BEDDING OR WRAPPED AROUND THE ENTIRE TRENCH AS SHOWN AT THE DISCRETION OF CITY PUBLIC WORKS.
2. GEOTEXTILE AND BEDDING STABILIZATION MATERIAL SHALL BE USED FOR UNSUITABLE SOIL CONDITIONS ONLY AT THE DISCRETION OF CITY PUBLIC WORKS.
3. 3" MINIMUM SAND BEDDING TO BE HAND PLACED AND COMPACTED/JETTED TO 95% MINIMUM RELATIVE COMPACTION.
4. USE CLASS 2 AGGREGATE BASE ROCK (AB) BACKFILL COMPACTED IN 6" LIFTS TO 95% MINIMUM RELATIVE COMPACTION OR TWO (2) SACK CEMENT/SAND SLURRY MIX. NO FLOODING OR JETTING SHALL BE ALLOWED.



CITY OF MONTE SERENO
PUBLIC WORKS DEPARTMENT

 10-13-17
PUBLIC WORKS DIRECTOR DATE REVISED

TRENCH RESTORATION
NOTES

DRAWING
NO.
PW-13

City of Monte Sereno Public Works Fees/Charges Worksheet

Project Address - _____
Permit Number - _____
Permittee - _____
Construction Cost - _____

Date: _____

	Approved rates (Resolution #3461)	Charges
1-	<i>Encroachment Permit Administrative</i> \$ 350.00	\$350.00
2-	<i>First \$50,000 of value, or any fraction thereof</i> 5% of Value Minimum fee \$200.00 Max \$2500	\$200.00
3-	<i>Value exceding \$50,000</i> 3% of Value Minimum fee \$200.00	\$0.00
4-		
TOTAL ENCROACHMENT PERMIT + ADMIN. FEES =		\$550